



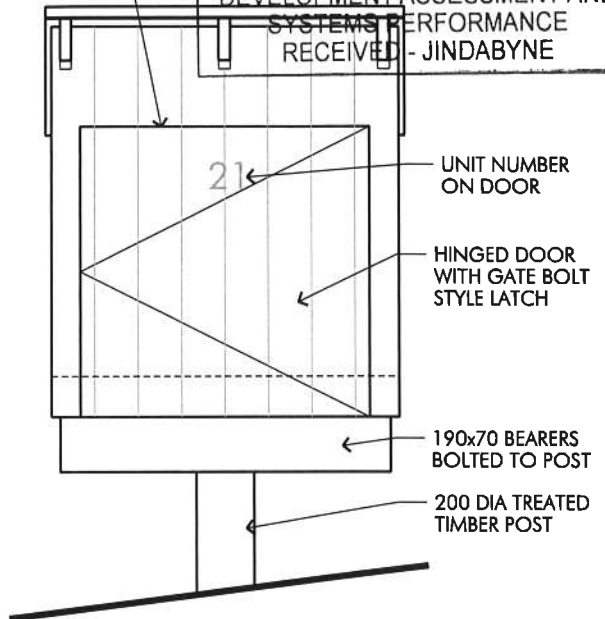
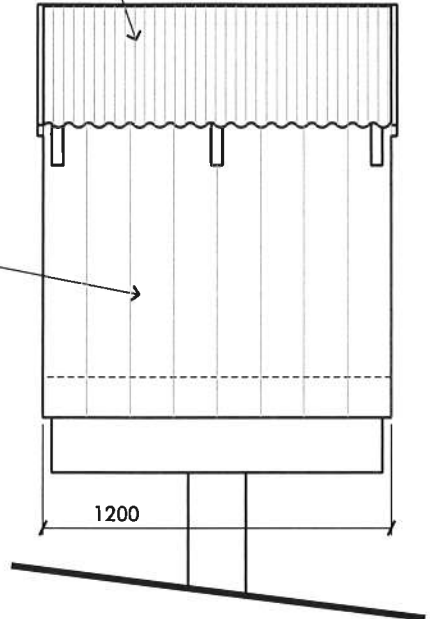
23 SEP 2014

DEVELOPMENT ASSESSMENT AND
SYSTEMS PERFORMANCE
RECEIVED - JINDABYNE

EMPTY / FULL
INDICATOR FLAP
AT TOP OF DOOR

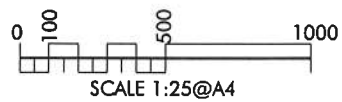
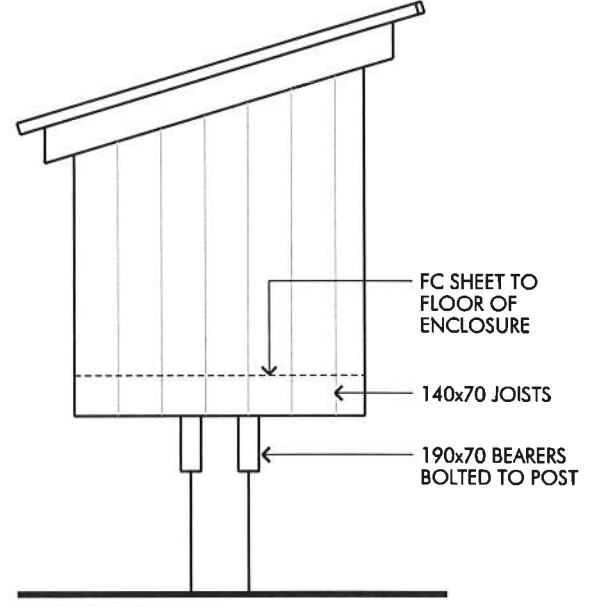
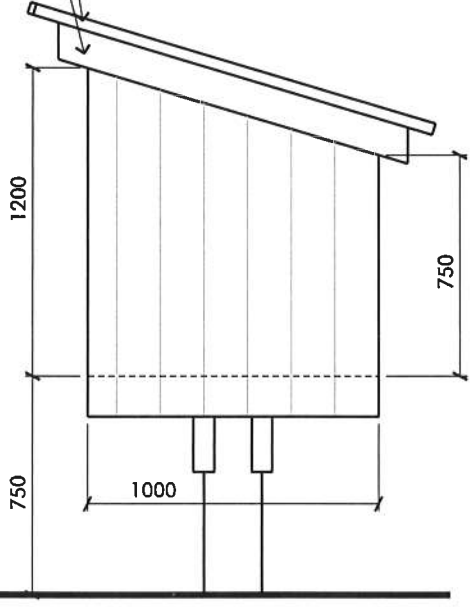
COLORBOND CUSTOMORB
ROOF CLADDING

WEATHERBOARD
CLADDING



40X20 EDGE TRIM

140x40 ROOF FRAME



BIN ENCLOSURE

Proposed Alteration & Extension at
Feathers Lodge Lot 603 DP 1118588
Mountain Dr, Woodridge, Thredbo
For A Hosie & N Murray



ezy architects PTY LTD
Central Coast Office - 37 Bayview Ave, East Gosford, 2250
david@davidlaw.com.au Ph (02) 4323 3935. Fax (02) 4323 3932

Datum	Drawn: DL	Sketch Plan		
Scale 1:25 (A4)	21/8/14	Ref No. HPSIE-MURRAY-S	Sheet 1	Issue B

